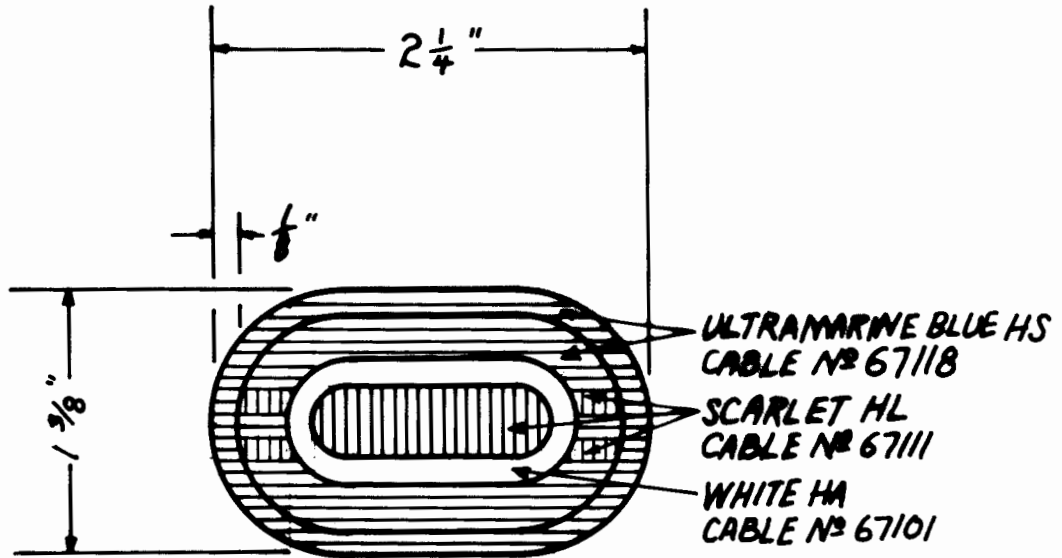


REVISIONS

LTR	DESCRIPTION	DATE	APPROVED
A,C	REDESIGNATION. TRIMMING DESIGN CHANGE.	4 JUNE 02	John E. ... FRED N. EICHORN, DIRECTOR



DESIGNED FOR OVEREDGE STITCHING

FORMERLY: 4TH & 5TH BN. 187TH INFANTRY

UNLESS OTHERWISE SPECIFIED DIMENSIONS ARE IN INCHES TOLERANCES ON FRACTIONS DECIMALS ANGLES

THE INSTITUTE OF HERALDRY, U.S. ARMY
CAMERON STATION, ALEXANDRIA, VA. 22304-5050

EXAMINED	<i>JL</i>	
CHECKED	<i>JH</i>	
PREPARED	<i>L.L.F.</i>	

BACKGROUND TRIMMING FOR

2^D BATTALION, 187TH INFANTRY

MATERIAL:

APPROVED
Gerald L. Luchina
GERALD L. LUCHINA, COLONEL, GS,
DIRECTOR

SIZE	CODE IDENT. NO.	A-6-38
A	22571	

SCALE FULL DATE 29 FEBRUARY 1988